



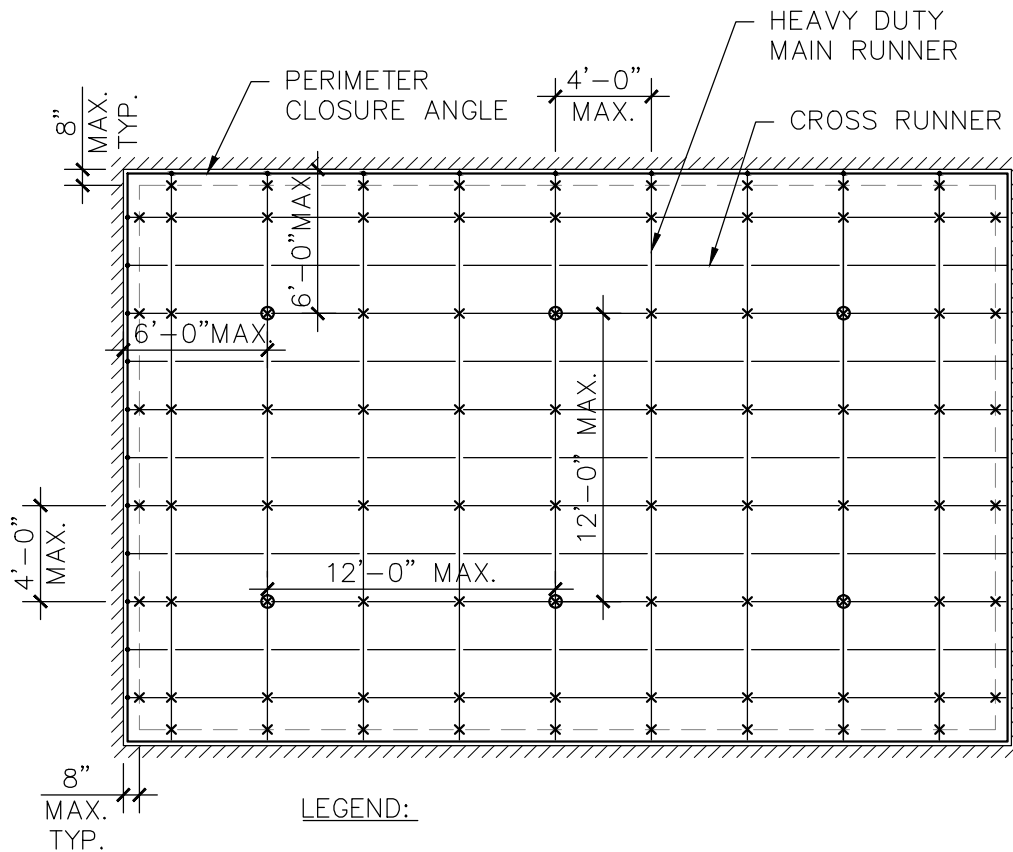
# City of Milpitas

Building & Safety Department

## DESIGN GUIDELINES FOR SUSPENDED CEILING



455 E. Calaveras Blvd.  
Milpitas, CA 95035  
408-586-3240  
[www.ci.milpitas.ca.gov](http://www.ci.milpitas.ca.gov)



**LEGEND:**

- × 12 GAUGE VERTICAL HANGER WIRE
- ⊗ LATERAL BRACING (COMPRESSION STRUT AND BRACING WIRES)
- ATTACHMENT OF RUNNERS TO CLOSURE ANGLE

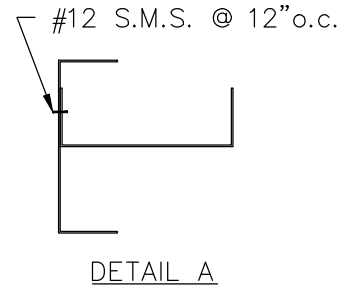
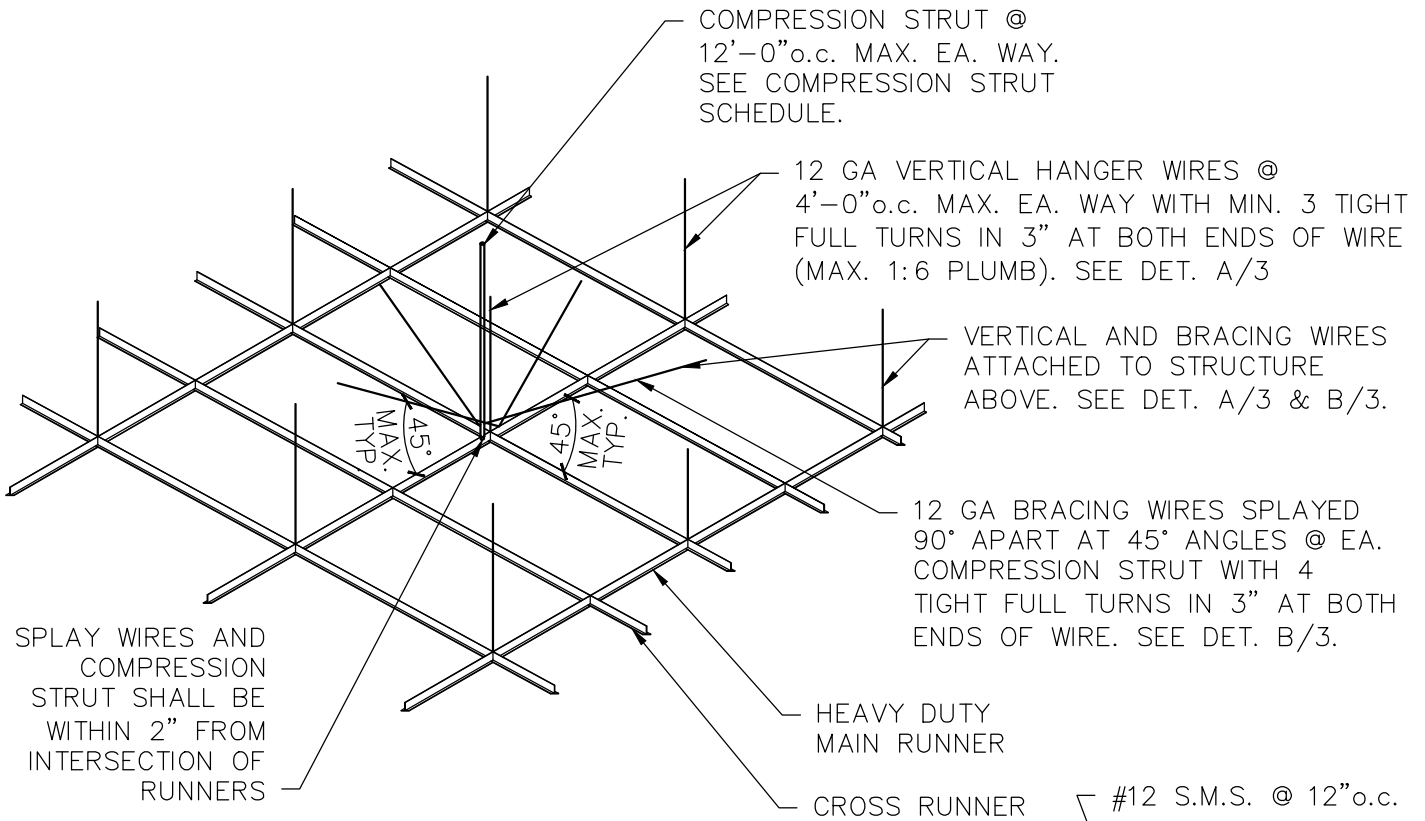
**NOTES:**

1. EXCEPT WHERE RIGID BRACES ARE USED TO LIMIT LATERAL DEFLECTION, SPRINKLER HEADS AND OTHER PENETRATIONS SHALL HAVE A 2" OVERSIZE RING, SLEEVE, OR ADAPTER THROUGH THE CEILING TILE TO ALLOW FOR FREE MOVEMENT OF AT LEAST 1" IN ALL HORIZONTAL DIRECTIONS. ALTERNATIVELY, A SWING JOINT THAT CAN ACCOMMODATE 1" OF CEILING MOVEMENT IN ALL HORIZONTAL DIRECTIONS IS PERMITTED TO BE PROVIDED AT THE TOP OF THE SPRINKLER HEAD EXTENSION.
2. SEE DET. C/3 FOR DETAILS AT CEILING PERIMETER.
3. CEILING WITH AN AREA GREATER THAN 2500 SQ. FT. SHALL BE PROVIDED WITH SEISMIC SEPARATION JOINTS.
4. SEE DET. D/3 FOR ATTACHMENT DETAIL OF LIGHT FIXTURE 20 LBS OR LESS.
5. THE INFORMATION PROVIDED IN THIS DESIGN GUIDE CARRIES NO IMPLIED OR INFERRED GUARANTEE AGAINST FAILURE OR DEFECTS. BY USING THIS DESIGN GUIDE, THE CONTRACTOR/OWNER ACCEPTS THE FULL RESPONSIBILITY OF RISK. ALTERNATE DESIGN MAY BE USED WHEN PROVIDED WITH WET STAMPED AND SIGNED STRUCTURAL CALCULATIONS & DETAILS BY A CALIFORNIA LICENSED ENGINEER OR ARCHITECT.

REV.	DATE	BY:	SCALE: N.T.S.
1	01/2014	OC/BYC	DATE: AUG 2009
			DRAWN BY: BYC
			REVIEWED BY: KI/LS/OC/BK/GA

**City of Milpitas**  
 Building & Safety Department  
**SUSPENDED CEILING**  
**SAMPLE REFLECTED CEILING PLAN**

**SHEET**  
**1**  
 OF 3 SHEETS



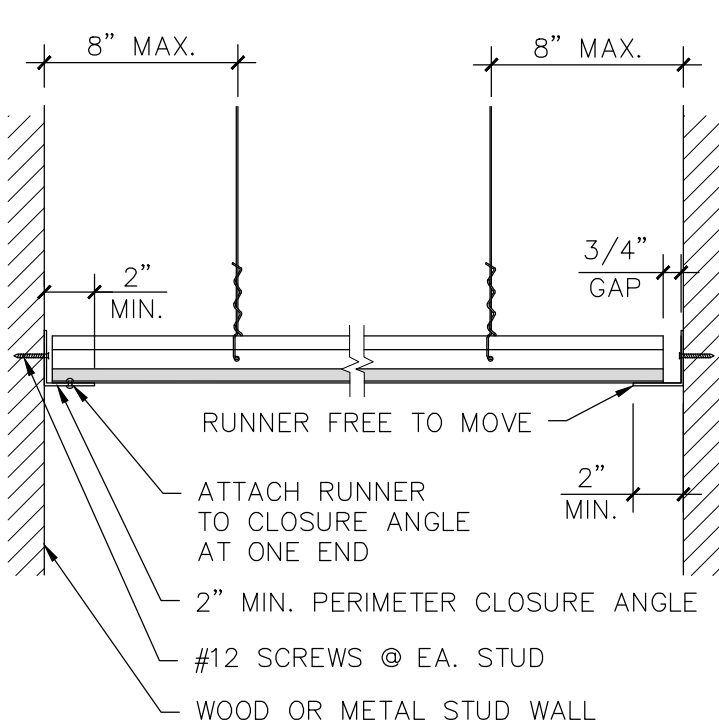
COMPRESSION STRUT SCHEDULE

ALLOWABLE MAX. STRUT LENGTH	USG DONN COMPRESSION STRUT	EMT COMPRESSION STRUT	METAL STUDS
2'-6"	VSA 18/30	1/2" $\phi$	250S125-18
4'-0"	VSA 30/48	1/2" $\phi$	250S125-18
5'-0"	VSA 48/84	3/4" $\phi$	250S125-18
6'-6"	VSA 48/84	1" $\phi$	250S125-18
7'-0"	VSA 48/84	1 1/4" $\phi$	250S125-18
8'-6"	VSA 84/102	1 1/4" $\phi$	362S162-33
10'-0"	VSA 102/120	1 1/2" $\phi$	362S162-33
12'-0"	VSA 120/144	2" $\phi$	362S200-33
17'-0"	-	-	(2)-362S125-33 (DET. A)
18'-6"	-	-	(2)-362S162-33 (DET. A)

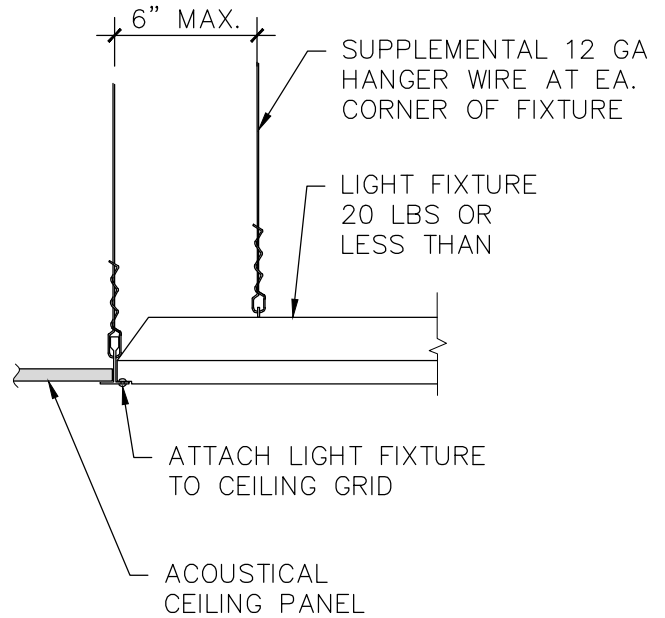
REV.	DATE	BY:	SCALE: N.T.S.
1	5/2013	BYC	DATE: AUG 2009
2	05/2017	OC	DRAWN BY: BYC
			REVIEWED BY: KI/LS/OC/BK/GA

**City of Milpitas**  
 Building & Safety Department  
**SUSPENDED CEILING**  
**SAMPLE CEILING GRID PERSPECTIVE VIEW**

**SHEET**  
**2**  
 OF 3 SHEETS

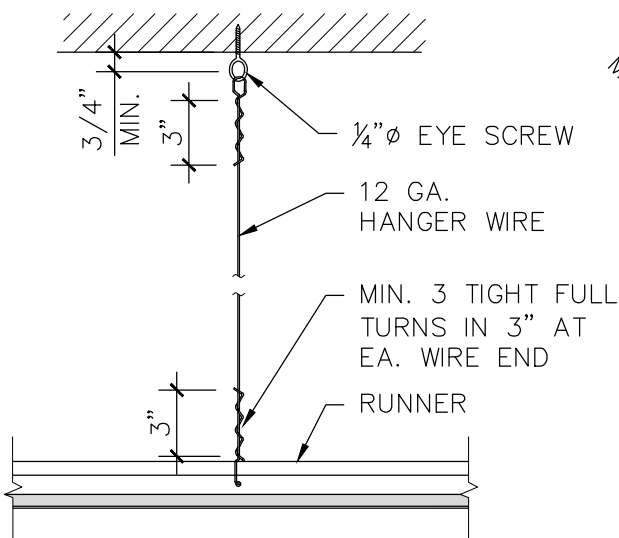


**C** CEILING PERIMETER DETAIL  
SCALE: 1-1/2"=1'-0"

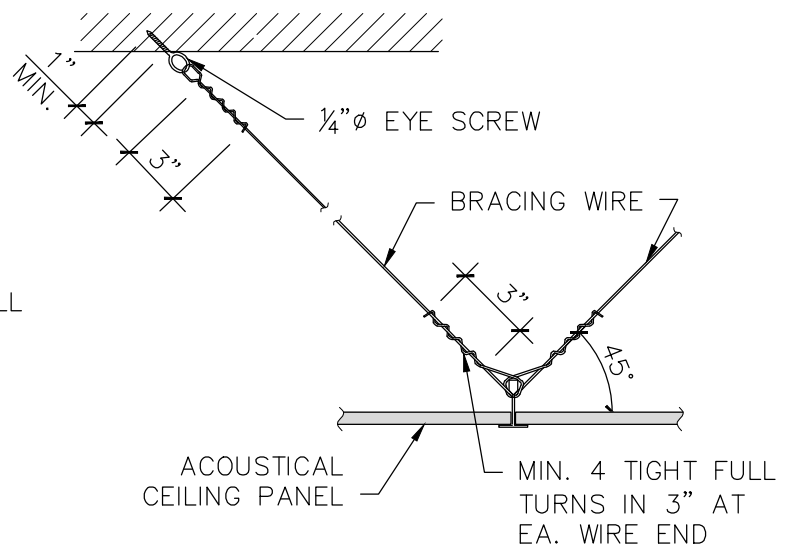


**D** LIGHT FIXTURE ATTACHMENT DETAIL  
SCALE: 1-1/2"=1'-0"

NOTE: ROOF MEMBERS SHALL BE MIN. 2x6 FOR ATTACHMENT OF ANY WIRE OR COMPRESSION STRUT



**A** HANGER WIRE TIE DETAIL  
SCALE: 1-1/2"=1'-0"



**B** BRACING WIRE TIE DETAIL  
SCALE: 1-1/2"=1'-0"

REV.	DATE	BY:	SCALE: AS NOTED
2	1/2014	OC/BYC	DATE: AUG 2009
			DRAWN BY: BYC
			REVIEWED BY: KI/LS/OC/BK/GA

**City of Milpitas**  
Building & Safety Department  
**SUSPENDED CEILING**  
SAMPLE DETAILS