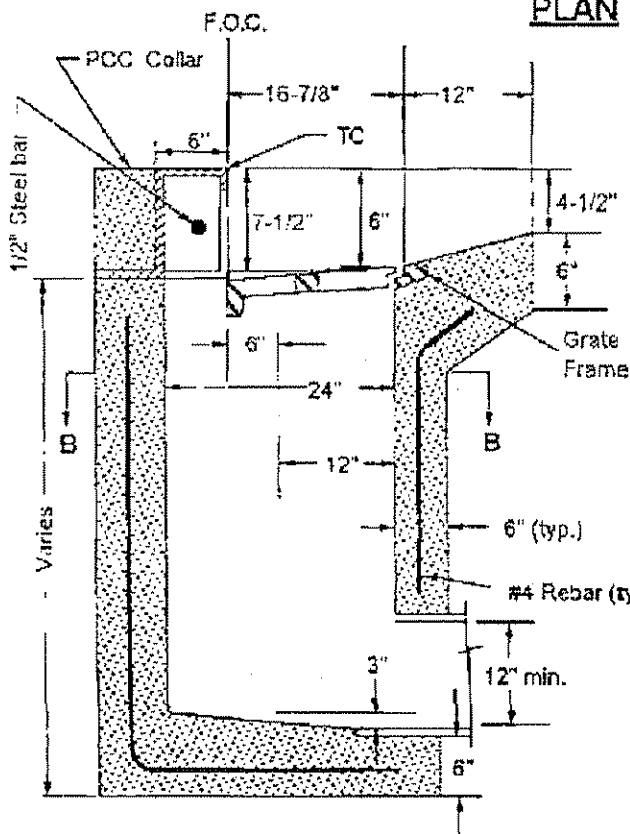
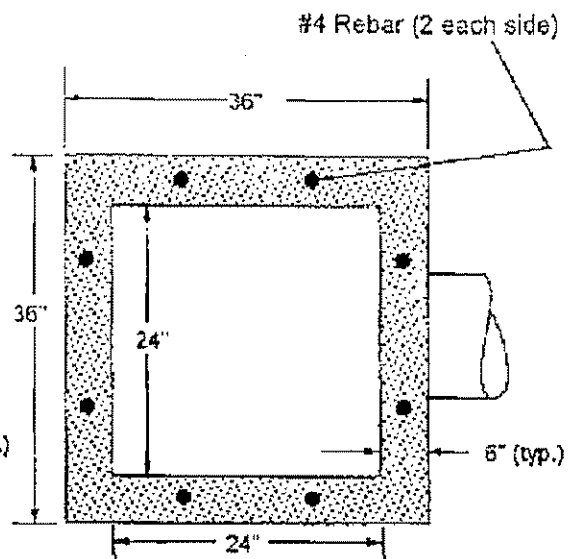


**PLAN**



**SECTION A-A**



**SECTION B-B**

**NOTES:**

1. Curb casting, gutter frame and grate shall be South Bay Foundry SBF1901 or Phoenix Iron Works No. P-6001 or approved equal.
2. PCC Collar shall not be constructed where sidewalk is contiguous to back of curb.
3. All PCC shall be 'Class A' (6 sack/c-y), or approved 3000 PSI mix.

CITY OF MILPITAS, ENGINEERING DIVISION

STANDARD DRAWING

NO. 462

**CURB STORM DRAIN INLET**

DATE : 6/15/10

APPROVED BY:

PUBLIC WORKS DIRECTOR / CITY ENGINEER RCE No.40283

SHEET 1 OF 1

| REVISION | DATE |
|----------|------|
| 1        | 1997 |
| 2        | 2001 |
| 3        | 2010 |