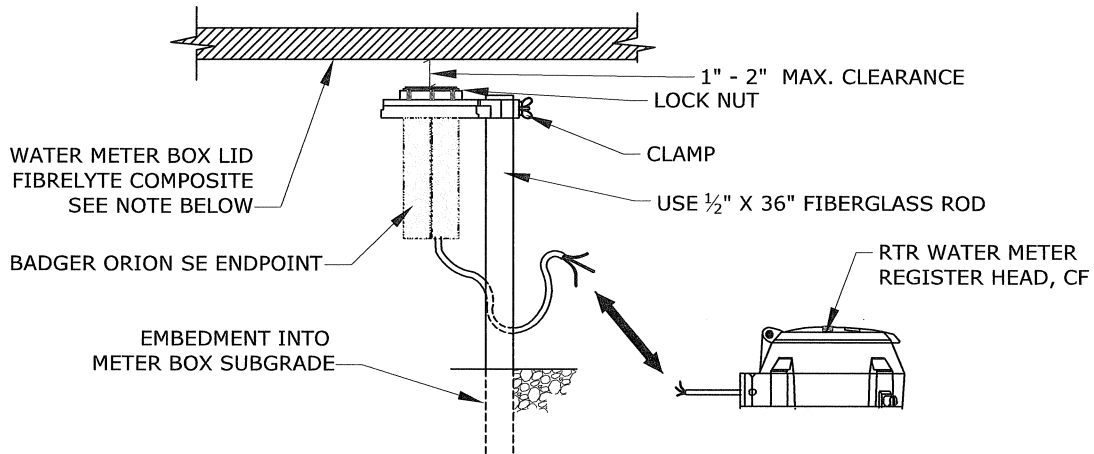


**PIT SUPPORT BRACKET (KNUCKLES) - TOP VIEW**



**PIT ORION BENEATH LID INSTALLATION - SIDE VIEW**

**NOTE:**

- 1) WHEN LID CAN NOT BE FIBRELYTE, INSTALL ENDPOINT IN A SEPARATE VALVE BOX WITH FIBRELYTE LID (CHRISTY FLO8 T OR APPROVED EQUAL) IN A NON-VEHICULAR AREA, USING 3/4" SCH. 40 PVC CONDUIT (WITH A MIN. COVER OF 18") FOR WIRE SPLICE IN WATER METER REGISTER BOX. ENDPOINT VAULT BOX LOCATION TO BE APPROVED BY THE CITY ENGINEER.
- 2) SEE DETAILS CITY STANDARD #722 & 728 FOR BOX SIZE. LID MUST BE LABELED "WATER METER"
- 3) ANTENNA: BADGER ORION SE II NETWORK GATEWAY TRANSCEIVER.
- 4) DEVELOPER SHALL PROVIDE REQUIRED ANTENNA WITH EACH PROJECT, TO BE INSTALLED BY THE CITY.

**Installation of ORION ENDPOINT below a meter pit lid.**

- 1) DRIVE FIBERGLASS ROD INTO THE GROUND PRIOR TO ATTACHING THE ENDPOINT TO AVOID DAMAGE.
- 2) ONCE IN THE GROUND, SECURE THE MOUNTING BRACKET ON THE APPROPRIATE ROD USING THE ENCLOSED WASHER, WING NUT AND HEX HEAD BOLT PROVIDED WITH BRACKET.
- 3) INSERT THE ENDPOINT THROUGH THE BOTTOM OF THE BRACKET AND THREAD THE LOCK NUT ONTO THE TOP OF THE ENDPOINT. MOUNT THE ENDPOINT A MAXIMUM OF ONE TO TWO INCHES BELOW THE UNDERSIDE OF THE LID.

NOT TO SCALE

<b>CITY OF MILPITAS, ENGINEERING DIVISION</b>		<b>REMOTE READ END-POINT-TRANSMITTER INSTALLATION</b>	<b>STANDARD DRAWING NO. 729</b>
<b>REVISION</b>	<b>DATE</b>		<b>DATE : 11/27/13</b>
1	2013	APPROVED BY: JEFF MONEDA PUBLIC WORKS DIRECTOR / CITY ENGINEER RCE No. C-60944	<b>SHEET 1 OF 1</b>
2	2013		